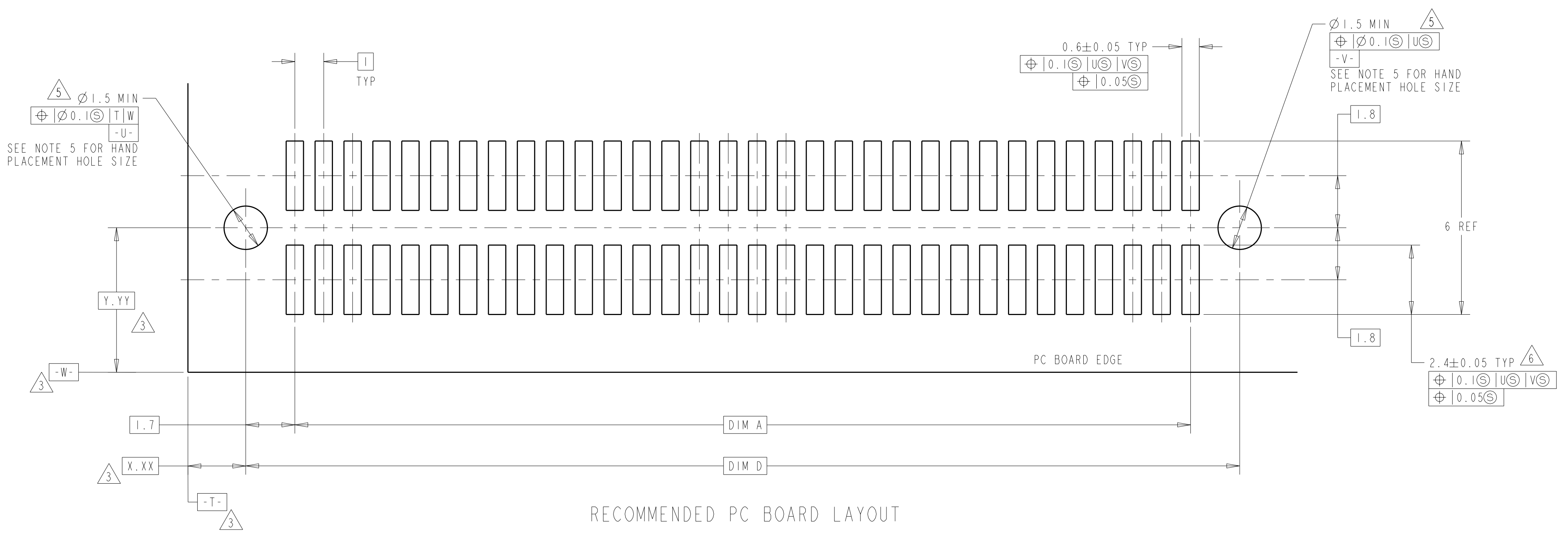
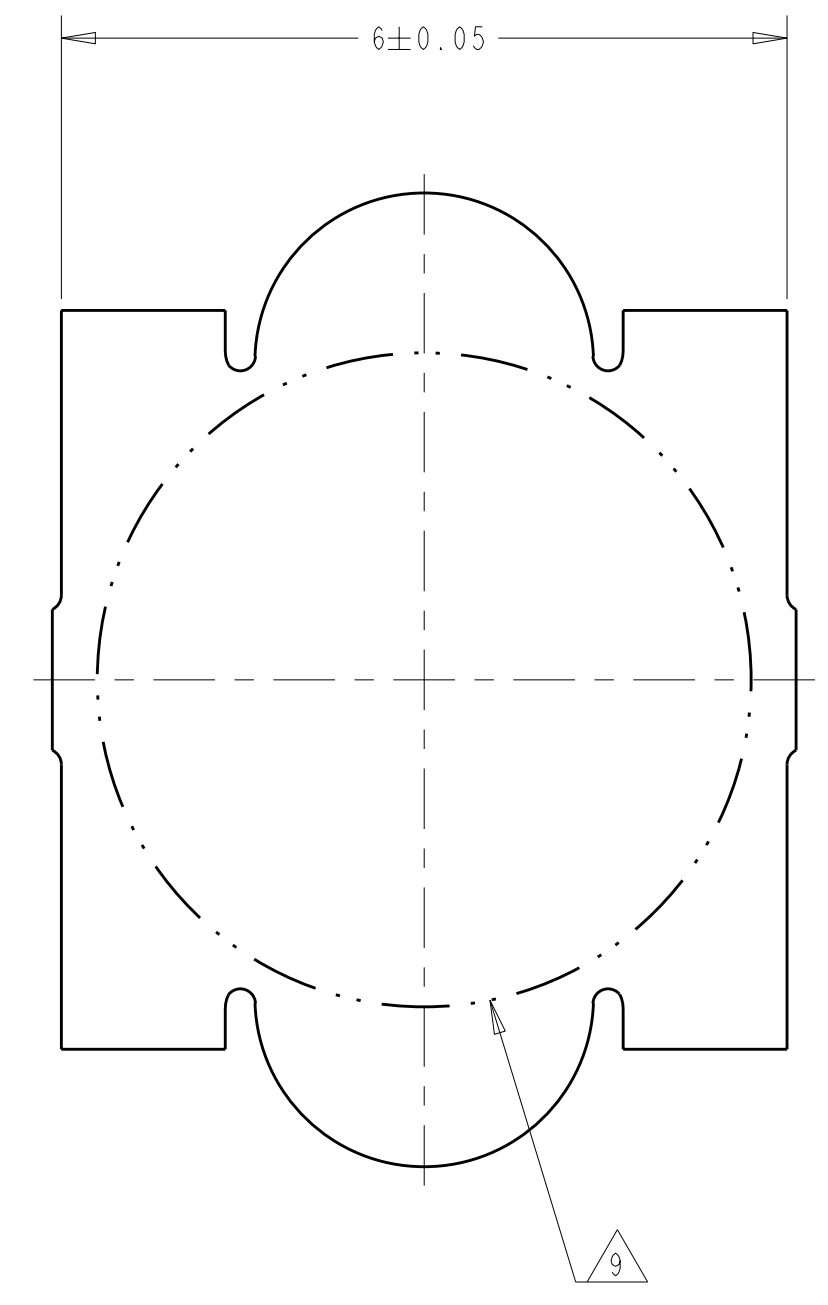
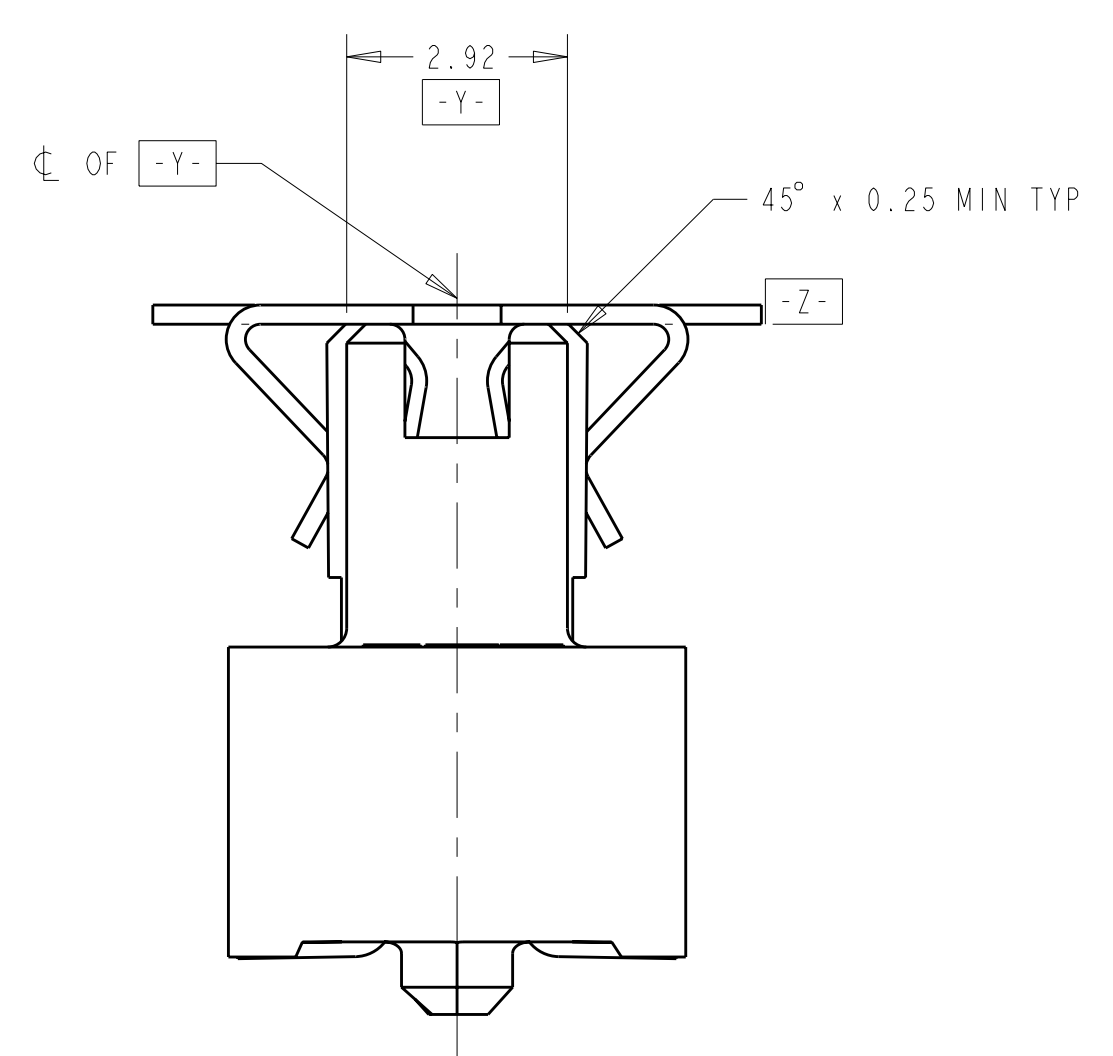
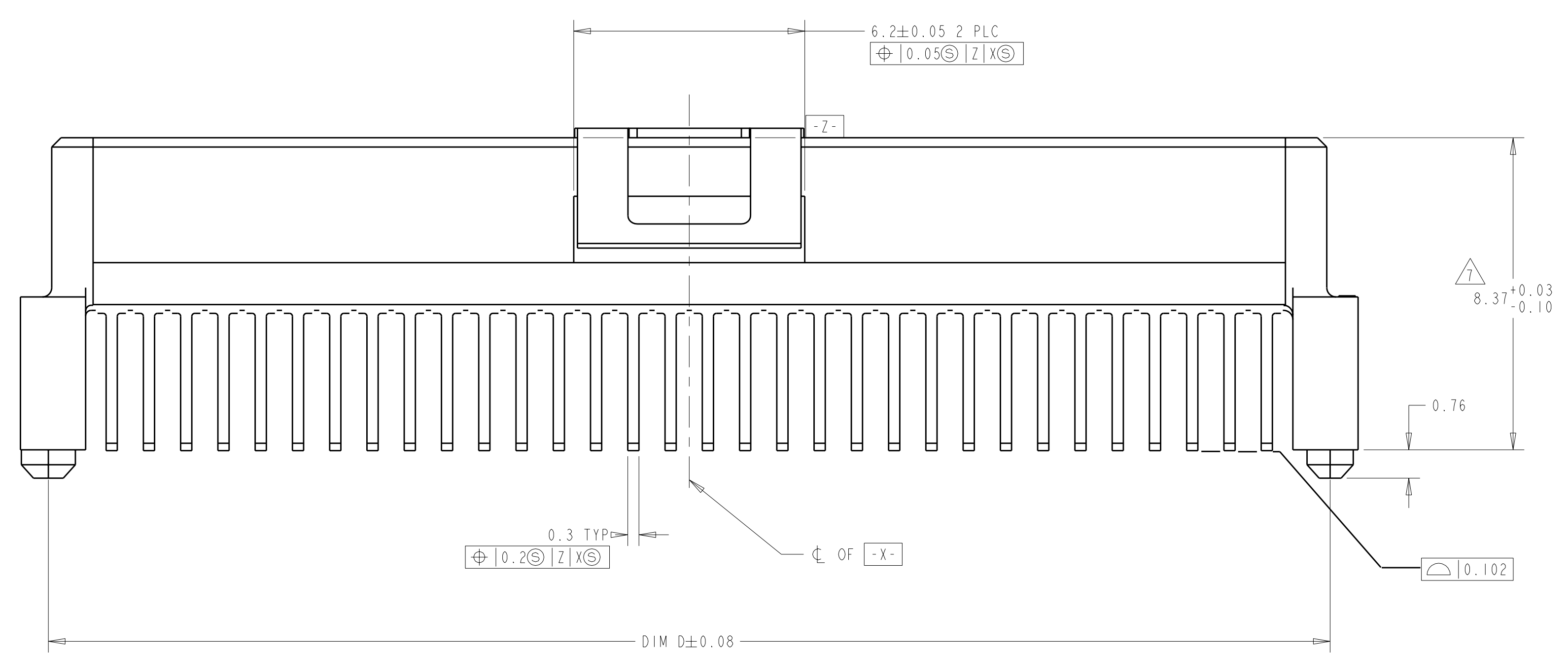
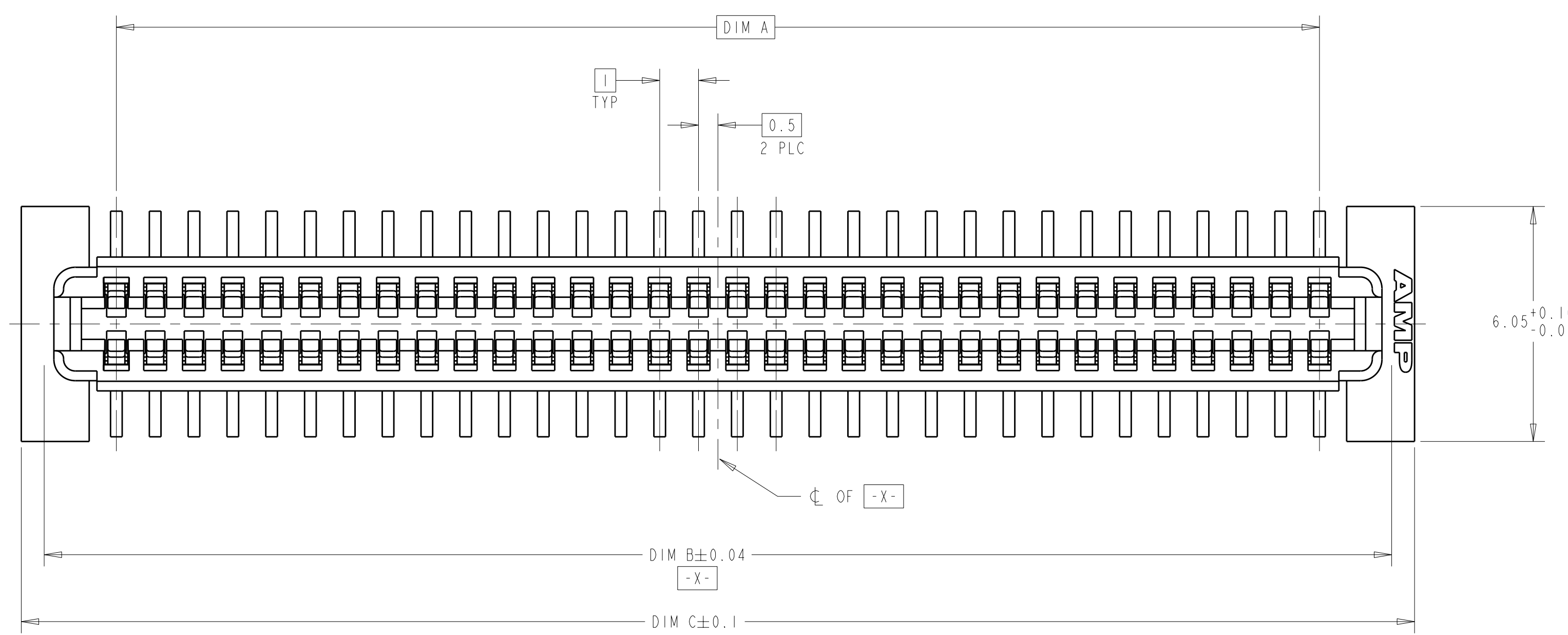


| LOC | DIST | REVISIONS | | | |
|-----|------|---------------------------|-----------|-----|------|
| P | LTN | DESCRIPTION | DATE | DWN | APVD |
| 0 | | REV PER EC 0512-0235-04 | 01OCT2004 | BC | RW |
| A | | REV PER ECO-06-025515 | 22JAN2007 | BC | DB |
| B | | REVISED PER ECO-08-008615 | 10JUL2008 | DH | DB |



- △ HOUSING MATERIAL: HIGH TEMPERATURE THERMOPLASTIC, COLOR: BLACK. CONTACT MATERIAL: PHOSPHOR BRONZE.
- △ CONTACT FINISH: NICKEL UNDERPLATE ALL OVER, MATING SURFACES PLATED TO MEET PL1 PERFORMANCE REQUIREMENTS OF INDUSTRY SPECIFICATION EIA-700AAAAB, SOLDER TAILS PLATED TIN.
- △ DATUM LOCATIONS AND BASIC DIMENSIONS TO BE ESTABLISHED BY THE CUSTOMER. CONSULT AMP ENGINEERING WHEN PLACING MULTIPLE CONNECTORS ON A PC BOARD.
- 4. PACKAGED IN TAPE ON REEL PER EIA-481.
- △ 1.4 ± 0.05 DIAMETER HOLE WHEN PLACING BY HAND.
- △ SHORTER SOLDER LANDS MAY BE USED PER EIA 700AAAAB, HOWEVER 2.4 LENGTH ASSURES OPTIMUM SOLDER FILLET REGARDLESS OF MANUFACTURER OF CONNECTOR.
- △ REFERRED TO AS DIM H = 8.3 ± 0.1 IN EIA 700AAAAB SPECIFICATION.
- 8. VACUUM COVER NOT SHOWN IN SOME VIEWS FOR CLARITY.
- △ 5.5 MIN DIAMETER TARGET AREA FOR VACUUM PICK-UP.
- △ CONTACT FINISH: 0.00381 MINIMUM MATTE TIN PER ASTM B 545 ON SOLDER AREA. 0.00127 MINIMUM GOLD PER ASTM B 488 ON MATING AREA. BOTH OVER 0.00127 MINIMUM NICKEL PER SAE-AMS-00-N-290 ON ENTIRE CONTACT.
- △ SEE CATALOG FOR OTHER MATING CONNECTOR OPTIONS.

| FINISH | DIM D | DIM C | DIM B | DIM A | MATING CONNECTORS | STACK HEIGHTS | POS | PART NUMBER |
|--------|-------|-------|-------|-------|-------------------|---------------|-----|-------------|
| 10 | 44.4 | 45.9 | 44.22 | 41 | 1-5146888-2 | 13 | 84 | 1-5146895-2 |
| 10 | 34.4 | 35.9 | 34.22 | 31 | 1-5146888-1 | 13 | 64 | 1-5146895-1 |
| 2 | 44.4 | 45.9 | 44.22 | 41 | 5146888-2 | 13 | 84 | 5146895-2 |
| 2 | 34.4 | 35.9 | 34.22 | 31 | 5146888-1 | 13 | 64 | 5146895-1 |

| | | | | | | | |
|-------------|--------|--|--|------------------|---------|---|--|
| DIMENSIONS: | | TOLERANCES UNLESS OTHERWISE SPECIFIED: | | DWN | 01OCT04 | Tyco Electronics | |
| mm | 9 PLC | ± | | CH | 01OCT04 | Harrisburg, PA 17105-3608 | |
| | 1 PLC | ±0.03 | | APVD | 01OCT04 | RECEPTACLE ASSY, W/ VACUUM COVER, 1.0mm FH(IEEE 1386) CONNECTOR | |
| | 5 PLC | ±0.003 | | PRODUCT SPEC | | NAME | |
| | 4 PLC | ± | | 502-1079 | | SIZE | |
| | ANGLES | ± | | APPLICATION SPEC | | CAGE CODE | |
| | | ±0°30' | | 114-25045 | | DRAWING NO | |
| MATERIAL | FINISH | ± | | WEIGHT | | RESTRICTED TO | |
| | | | | - | | A 00779 C=5146895 | |
| SEE TABLE | | | | CUSTOMER DRAWING | | SCALE 10:1 SHEET 1 OF 1 REV B | |